

# WAVE

## WAVE 6

### Marine & Motor sport woofer

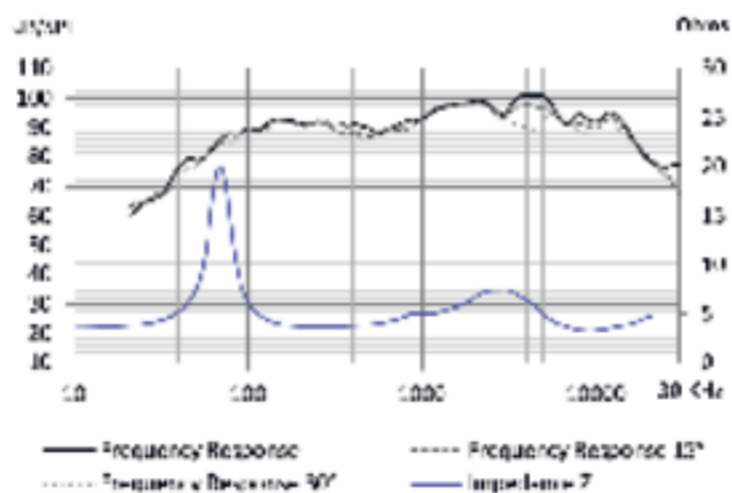
- Woofer 6-1/2" (165 mm)
- Max power 120 W / Nom. power 60 W
- Frequency response 70 Hz - 20 kHz
- Sensitivity 90.5 dB
- Impedance 3 Ohms

ABS composite basket - Polypropylene cone - Butyl rubber surround - Long life "Conex" damper - 26 mm (1") voice coil with kapton former - 80mm x 15 mm (3,15" x 0,6") motor assembly

#### TECHNICAL SPECIFICATIONS

Component	Woofer	
Max power	120 W	
Nominal power	60 W	
Impedance	3 Ω	
Freq. Response	70,0 Hz - 20 kHz	
Efficiency [2.83V/1m]	90.5 dB	
Magnet	Ferrite magnet	
Magnet size Ø x h	80 x 15 mm	3,15" x 0,591"
Total driver displacement	0.11	0.004 cf
Weight of one component	0.97 kg	2,14 lb
Voice coil Ø	26 mm	1.004"
Voice coil height	8.8 mm	0,346"
Cone	polypropylene	

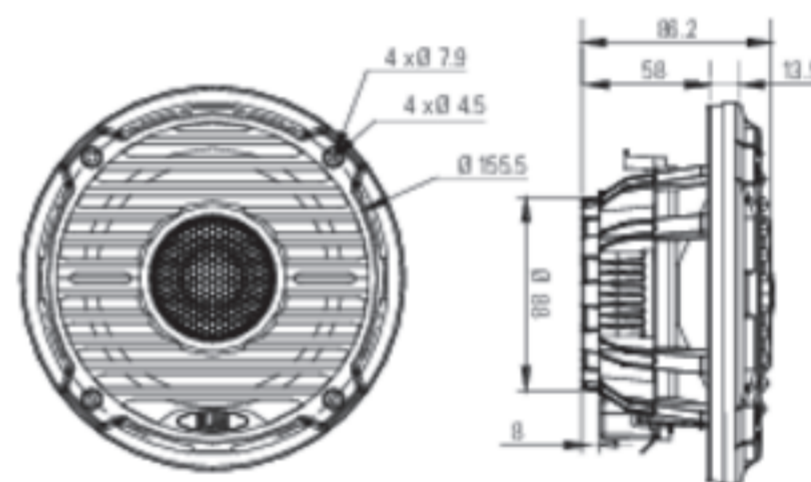
#### FREQUENCY RESPONSE / IMPEDANCE



# BLAM

FRENCH SOUND

Driven by passion.



#### THIELE-SMALL PARAMETERS

effective Ø [d]	113 mm
Sd	128,68 cm <sup>2</sup>
Xmax	1.9 mm
Re	3,40 Ω
Fs	69.58 Hz
Le	0.13 µH @ 1 kHz
L2	0.01 µH @ 10 kHz
Vas	8.62 L
Mms	14.03 g
Cms	0,373 m/N
BL	4,66 Tm
Qts	0,83
Qes	0,96
Qms	5,85
Sensitivity [dB/W/m]	87 dB